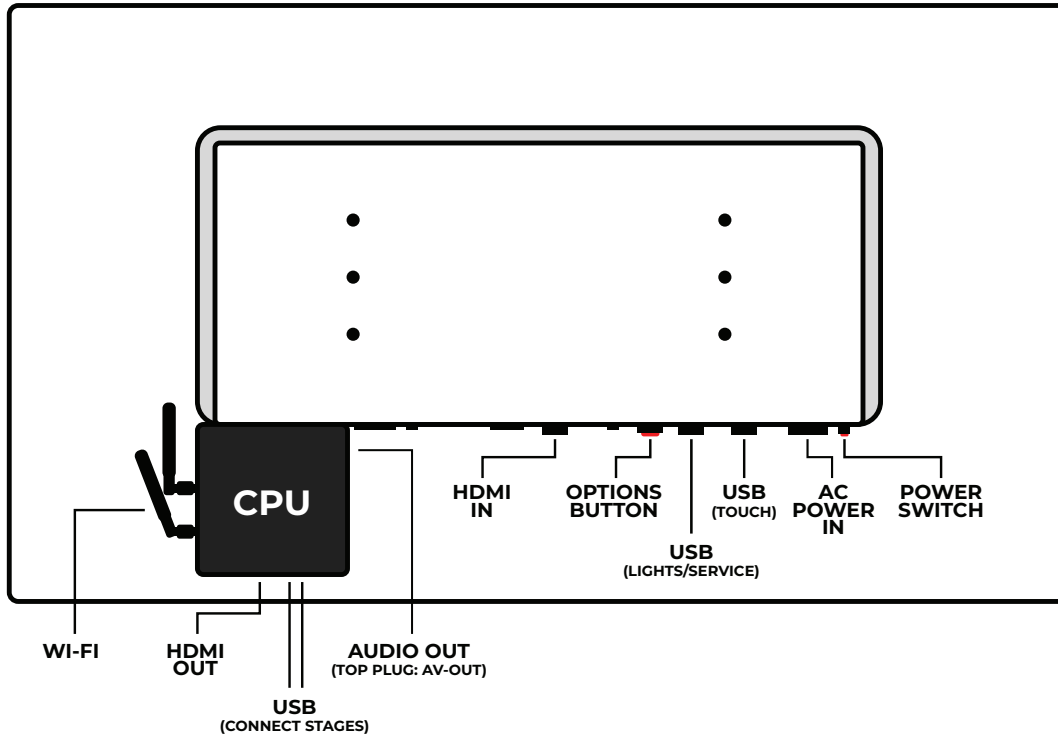


# TOUCH MONITOR REFERENCE SHEET



## HOOKING UP

The SMX Touch Monitor is a self-contained unit that has everything pre-connected, however external speakers as well as the SMX Stages required to play will need to be manually plugged in.

- Connect speakers to the 3.5mm **AV-OUT** plug located on the CPU. **NOTE:** It's advised to disable any effects or processing on the speaker setup being used to avoid introducing audio delay. It is also not advised to use HDMI or Optical audio, as these also can cause delays.
- Connect the StepManiaX Stages to either of the available **USB Ports** on the **CPU**.
- Connect the **AC Power Cable** and turn on the unit with the power switch on the back of the monitor.

## FIRST BOOT

On power-on, your StepManiaX hardware will attempt to look for an internet connection.

**It is highly recommended to configure a connection and to link the game.**

**Having an internet connection and linking the game to an account allows the system to receive periodic software and content updates to keep players coming back, add new game features, enhance the player experience, and provide software stability, patches, and fixes.**

Please refer to the Software Manual for a full breakdown of software settings and configurations, downloadable at [stepmaniax.com](http://stepmaniax.com) under **Downloads**.

## CARE

To clean the monitor, simply use a standard glass cleaning solution with a soft, dirt-free cloth and wipe dry. Harsher materials may scratch the surface of either the metal or the glass. Clean the inner perimeter of the Touch Frame as well, as if this is dirty it may impact the effectiveness of the touch display.

**Do not use an acetone-based solution, as this will cause damage.**

As with any piece of hardware, be sure to immediately clean up excessive liquids if anything is spilled on the monitor to prevent unintended wear and tear and ensure proper functionality.